

HIGH SPEED AUTOMATIC LABELLER

SEQUENCE TOTAL

FAST • FLEXIBLE • ACCURATE LABELLING



SESSIONS UK

SELF ADHESIVE
LABELLING
SOLUTIONS



- Compact
- Low-energy consumption
- Synchronised speeds
- Digital control box
- Quick format change
- User-friendly
- Easy to integrate control systems

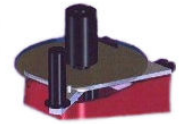
- The **SEQUENCE TOTAL** is a versatile, compact, automatic self adhesive labeller suitable for all styles of glass and plastic containers.
- The unit can be built for wrap-around, back and front, back/front and shoulder and any other combinations of label positions.
- A modular constructed machine with all modules fully EEC approved giving a sophisticated unit of modern design at a highly competitive price.
- Engineered to provide accurate label application at high speeds, the **SEQUENCE TOTAL** labeller is robust, reliable and easy to use.
- The unit is available with inline printing facilities, barcode reading and virtually any of the security and safety checking requirements of a modern production line.
- The very clean design of the labeller makes it particularly suitable for the pharmaceutical, toiletries and cosmetic industries. Any spillage is automatically ducted away from the conveyor top.

For further information visit our web site www.sessionsuk.com

STANDARD LABELLING EQUIPMENT CONFIGURATION

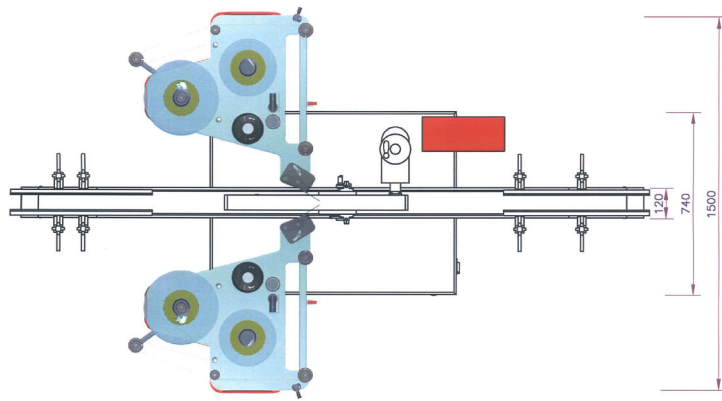
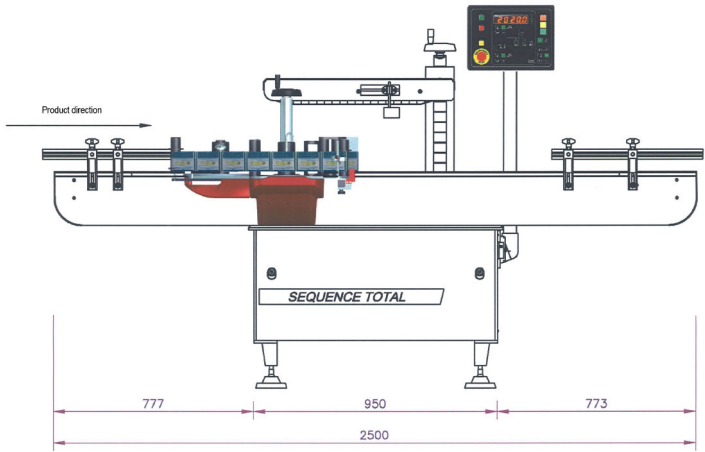


Digital Control Box

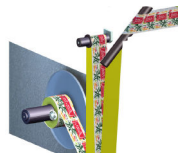


Unwinder 300mm Ø

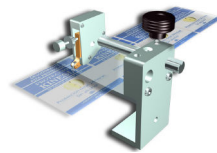
Optical Label Detector



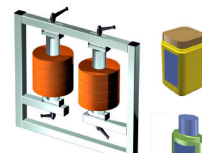
Orientating Digital Control Box + Beacon



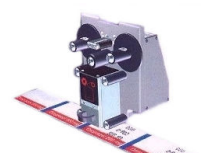
Automatic Unwinder Group 350mm Ø



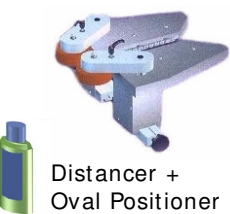
Mechanical Label Detector



Motorised Smoothing Rollers



Hot Foil Coder



Distancer + Oval Positioner



Oval Positioner



Distancer By Scroll Unit



Roll Down Unit



Three Roller Module

Technical features:-

Power supply	230V, 50Hz
Power Consumption	1000W minimum
Maximum reel label width	125mm / 205mm
Maximum label reel diameter	300mm
Label reel inside diameter	76mm
Certification	CE

Product to be labelled:

Label position	*	one side – wrap around
	**	two sides
	***	positioned in relation to the product
Format	oval, rectangular, cylindrical	
Width	– max. 100mm – min. 20mm	Height – max. 310mm – min. 30mm
* standard machine, please enquire for any other option		



SESSIONSUK

1 Redeness Street, YORK, YO31 7UU

Tel: + 44(0) 1904 6 106 13

Fax: + 44(0) 1904 6 385 18

Email: enquiry@sessionsuk.com Web: www.sessionsuk.com