

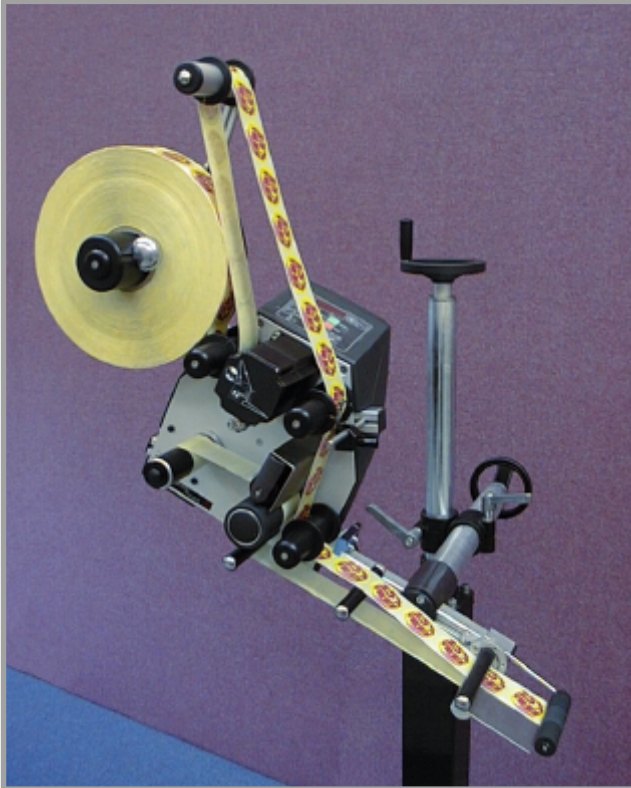
LABEL APPLICATOR

SPECTRUM



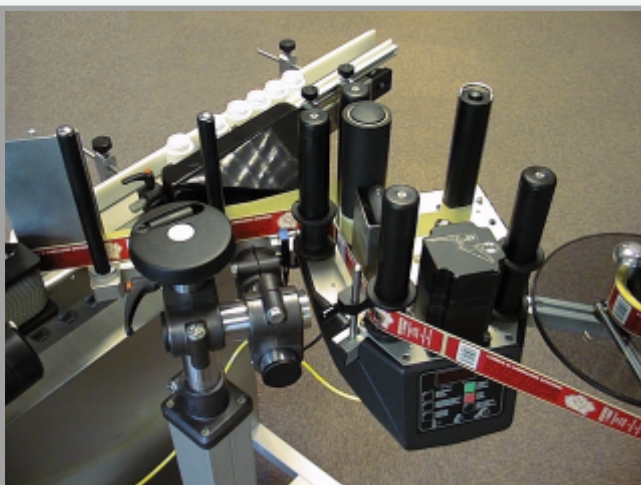
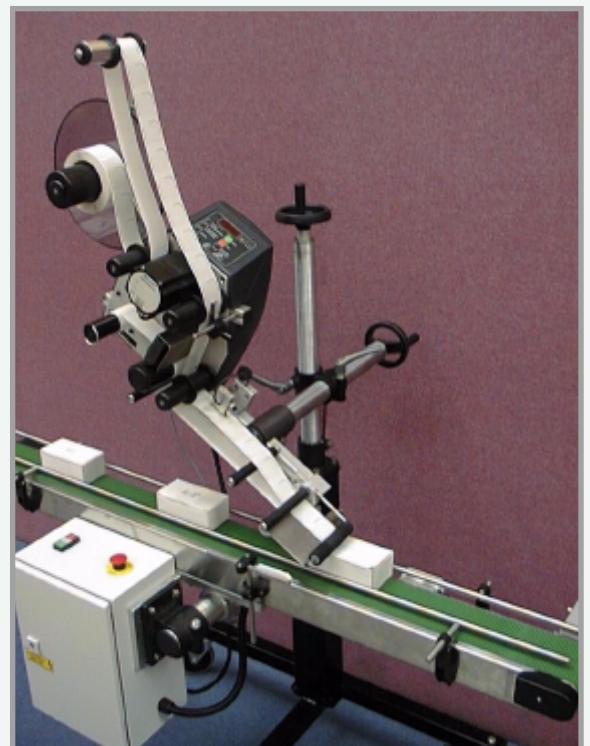
SESSIONS UK

SELF ADHESIVE
LABELLING
SOLUTIONS



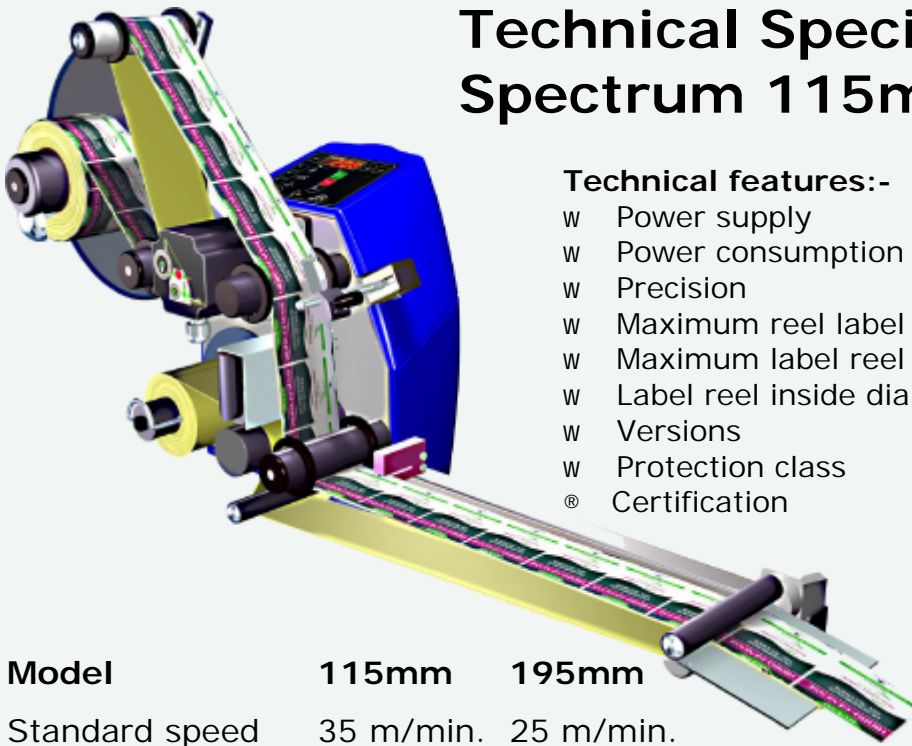
- 195mm web width
- Stepper motor drive
- 50 metres per minute linear speed
- Touch sensitive keypad programming
- Digital display panel
- Light and compact
- User friendly

User friendly
touch sensitive
keypad
programming
facility with digital
display panel



For further information visit our web site www.sessionsuk.com

Technical Specifications Spectrum 115mm / 195mm



Technical features:-

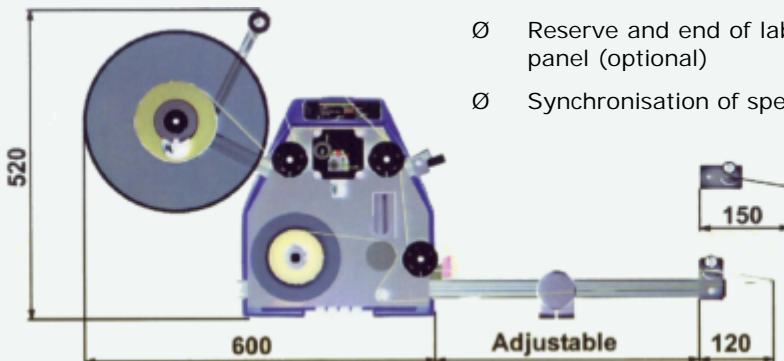
w Power supply	230V 50Hz
w Power consumption	350W
w Precision	± 0.3mm
w Maximum reel label width	115mm/195mm
w Maximum label reel diameter	300mm
w Label reel inside diameter	44mm
w Versions	Reversible right/left
w Protection class	IP41
® Certification	CE

Model	115mm	195mm
Standard speed	35 m/min.	25 m/min.
Maximum speed*	50 m/min.	50 m/min.

* Depending on the label length and spacing, it may be necessary to add an automatic winder or unwinder

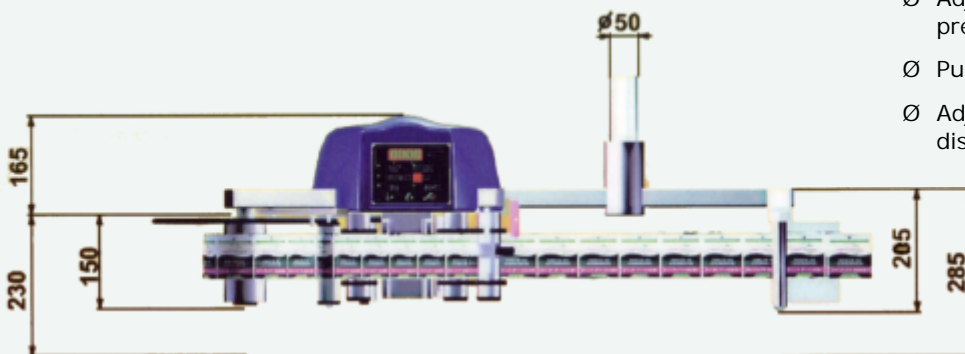
General Features:-

- Ø Controlled by integrated electronics
- Ø Circuits with indicator LED's and quick connections
- Ø Reserve and end of label warning with buzzer/light on the control panel (optional)
- Ø Synchronisation of speed by encoder or analog signal 0-10V



Control Panel:-

- Ø 4 digit, high luminosity, large size display
- Ø Touch sensitive buttons with LED
- Ø Indicator light for label/product detection signals
- Ø Adjustment in millimetres of label pre-dispensing and position
- Ø Push button 'one label' output signal
- Ø Adjustment in metres/minute of the label dispensing rate



SESSIONSUK

1 Redeness Street, YORK, YO31 7UU

Tel: +44(0)1904 610613

Fax: +44(0)1904 638518

Email: enquiry@sessionsuk.com Web: www.sessionsuk.com